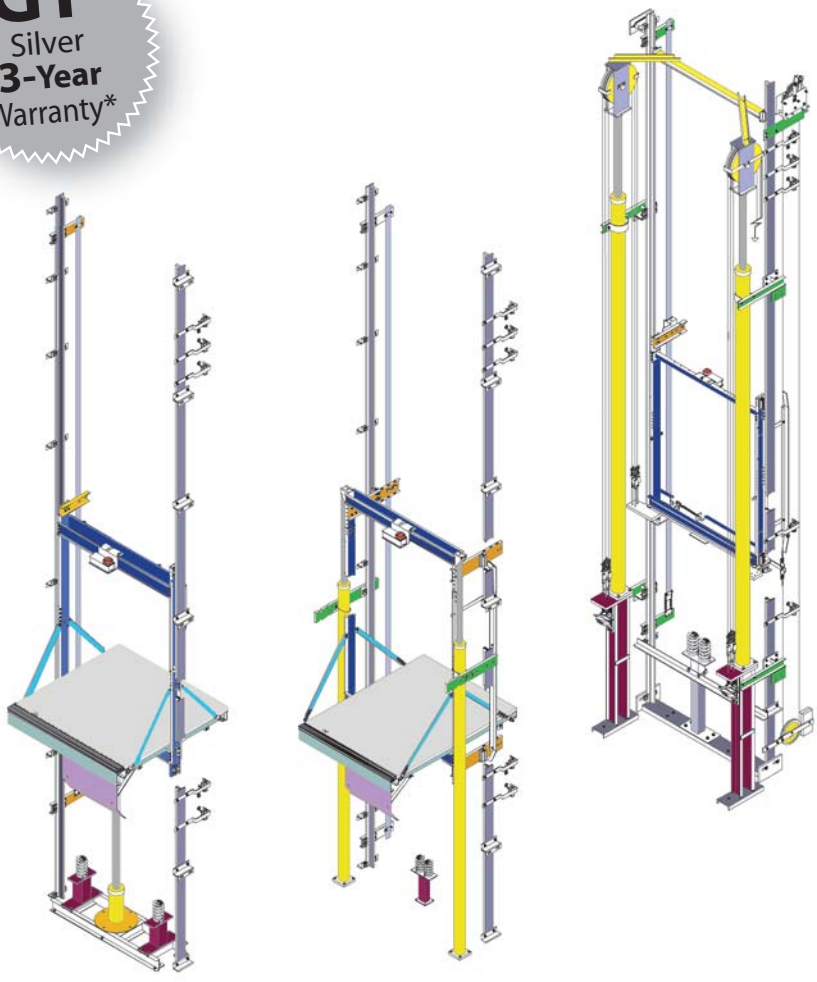


GT VisionLift Hydraulic™



Complete Line of Pre-Engineered Hydraulic Elevators

GT
Silver
3-Year
Warranty*



Elevator Types:

- Holed (In ground)
- Holeless Twin Jack Direct
- Holeless Twin Jack Roped 1:2
- Cantilever Direct
- Cantilever Roped 1:2

Upgraded Standard Cab Design

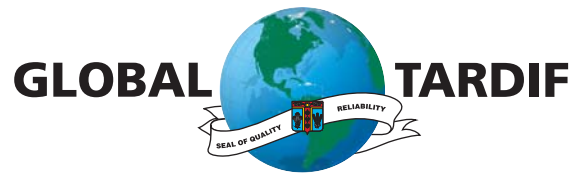


Since 1984, **Global-Tardif** has earned a top reputation manufacturing a full range of reliable, field-proven, innovative elevator products including Gearless, Geared, MRL, Hydraulic, Freight and specialty Custom elevator systems.

Global-Tardif introduces you the most complete line of pre-engineered hydraulic elevator solutions for low rise buildings; the **GT VisionLift Hydraulic™** lift serie.

We designed them to provide a wide selection of packages and the most popular sizes and capacity ranges. We do offer five different models .

since 1984



Elevator Manufacturing Group



STANDARD FEATURES

- 2000 @ 5000 lbs capacity (907 to 2275 kg)
- 80, 100, 125, 150 fpm (0,4 to 0,75 m/sec)
- Standard Global-Tardif platform sizes
- Travel up to 80 feet (25 m) depending on the model
- Independent service operation
- Emergency fire service operation
- Infrared door detection operation
- Anti Nuisance Operation
- Hoistway access operation
- Nudging
- Up to 16 openings

AVAILABLE OPTIONS

- Duplex, 3Plex, 4Plex group operation
- Solid state starter
- Emergency battery lowering
- Remote monitoring
- Supervision software
- Automatic dispatching of loaded car operation
- ADA Emergency phone
- Dry (V-Belts) power units
- Oil cooler (Radiator & pumps)
- Large selection of cab designs and cab finishes
- Large selection of fixtures and push buttons

Overview of our standard equipment



Power unit **GT-SBPower™**

- Submersible motor pump
- Easily serviced components
- Highest grade components
- Isolated mounts
- Muffler/Silencer included
- Floor isolation pads
- Oil level gauge
- Ball valve included
- Wiring junction box
- Pressure switch for holeless models
- 600/ 480/ 208 V / 3 ph. / 60 hz
- Dependable components

Jack unit

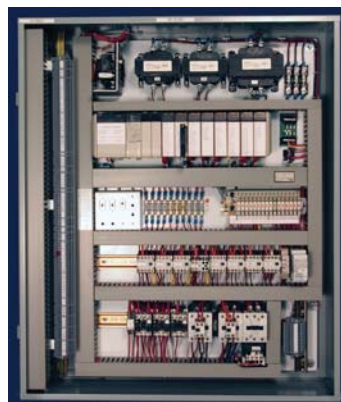


- Single section up to 40ft
- Precision +/- 0,005 inch
- Seamless
- Corrosion coating
- PVC linear
- Easily serviceable head
- Highest grade seals
- PVC monitoring
- 100% inspected
- Consistent performance
- Smooth polish surface



Sling / platform

- Laser fabrication
- CNC machining
- Field friendly
- Light & solid structure
- Structural platform w/plywood
- Sliding heavy duty shoes



Controller **GT-JHDMP™**

- Industrial microprocessor
- CSA approved
- Field friendly
- Easy installation
- Trouble free components
- Superior performance
- Precise adjustments
- Programmable functions on site
- Over 100 alarm finders

Global-Tardif reserves the right to change specifications without notice

Outstanding Upgraded Cab Design **GT-LSE4™**

- ◆ Stainless steel #4 modular cab shell walls structure
- ◆ Stainless steel #4 cab front
- ◆ Stainless steel #4 doors
- ◆ 2" (50 mm) Stainless steel #4 reveals
- ◆ Stainless steel #4 kick base
- ◆ REMOVEABLE plastic laminate hang on panels
- ◆ Stainless steel #4 solid 1/4" x 2" (6 x 50 mm) flat bar
- ◆ **GT-22E** or **GT-22L** suspended ceiling
- ◆ Aluminum pad hooks

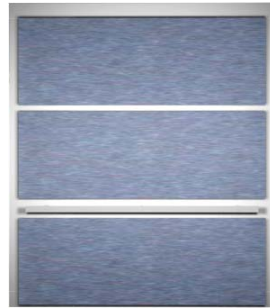


Cab options

Cab paneling
Serie **GT-Shell™**



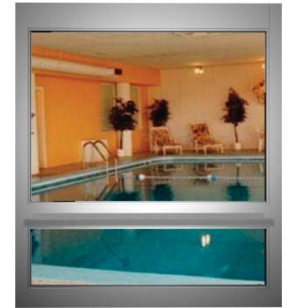
Cab paneling
Serie **GT-HP™**



Cab paneling
Serie **GT-VBP™**



Cab paneling
Serie **GT-GB™**



Ceilings - Island **GT-22L** Lexan



Ceilings - Island **GT-23** downlights



Ceilings - Island **GT-124** downlights



Ceilings - Island **GT-PF** with
perimeter fluorescent



GT150TSS4

GT150TSS4

Cylindrical
Handrail
1 1/2" or 2" diameter
(38 or 50 mm)



GT144FSS4

Solid Handrail
1/4" x 4"
(6 x 100 mm)



GT146FSS4

GT148FSS4

Solid Handrail
1/4" x 6" - 8"
(6 x 150 - 200 mm)



GTHW26

GTHW28

GTHW210

Hardwood Handrail
2" x 6" - 8" - 10"
(50 x 150 - 200 - 255 mm)



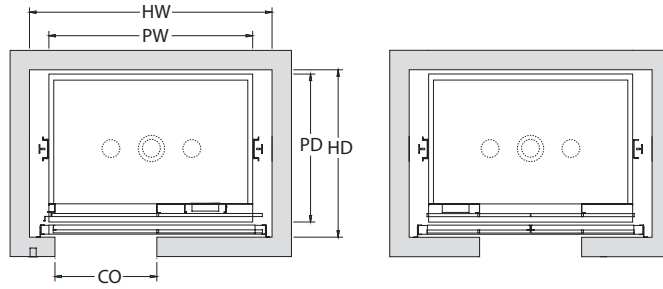
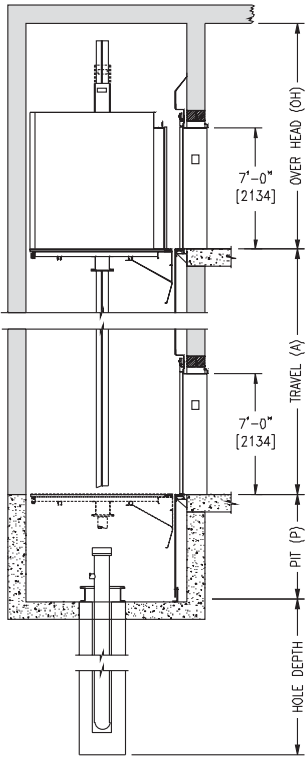
Standard Fixtures Package

- ◆ LED illumination
- ◆ 24 VDC
- ◆ Stainless steel #4 faceplate
- ◆ Tamper proof screws
- ◆ Blue, red, green, amber or white LED
- ◆ Vandal resistant



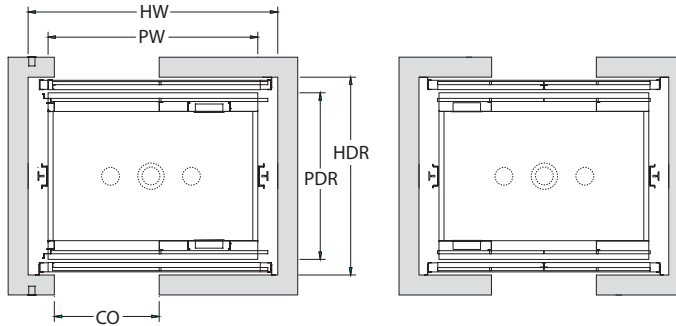
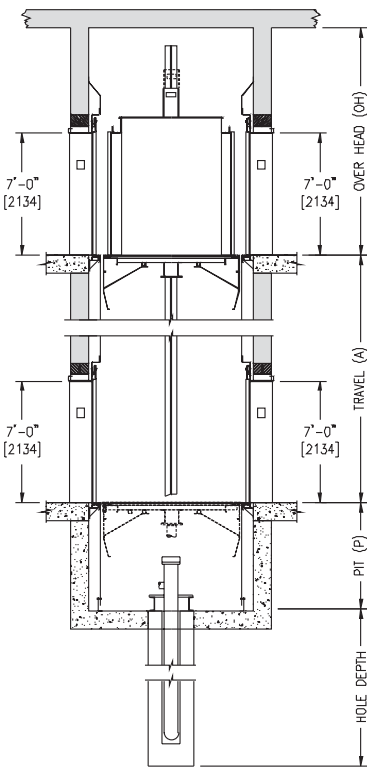
Global-Tardif reserves the right to change specifications without notice

GT VisionLift Hydraulic™



Holed Passenger Type Front Opening

Type of Opening	Capacity	Hoistway Width	Hoistway Depth	Platform Width	Platform Depth	Cab Inside Width	Cab Inside Depth	Size of Opening
		HW	HD	PW	PD	CIW	CID	
SSP	2100 Lbs (953 Kg)	7'-4" 2235	5'-9" 1753	6'-0" 1829	5'-1" 1549	5'-8" 1727	4'-3" 1295	3'-0" x 7'-0" (914 x 2134)
SSP, CO	2500 Lbs (1134 Kg)	8'-4" 2540	5'-9" 1753	7'-0" 2134	5'-1" 1549	6'-8" 2032	4'-3" 1295	3'-6" x 7'-0" (1067 x 2134)
SSP, CO	3000 Lbs (1361 Kg)	8'-4" 2540	6'-3" 1905	7'-0" 2134	5'-7" 1702	6'-8" 2032	4'-9" 1448	3'-6" x 7'-0" (1067 x 2134)
SSP, CO	3500 Lbs (1588 Kg)	8'-4" 2540	6'-11" 2108	7'-0" 2134	6'-3" 1905	6'-8" 2032	5'-5" 1651	3'-6" x 7'-0" (1067 x 2134)
CO	4000 Lbs (1814 Kg)	9'-4" 2845	6'-11" 2108	8'-0" 2438	6'-3" 1905	7'-8" 2337	5'-5" 1651	4'-0" x 7'-0" (1219 x 2134)



Holed Passenger Type Front & Rear Opening

Type of Opening	Capacity	Hoistway Width	Hoistway Depth	Platform Width	Platform Depth	Cab Inside Width	Cab Inside Depth	Size of Opening
		HW	HD	PW	PD	CIW	CID	
SSP	2100 Lbs (953 Kg)	7'-4" 2235	6'-7 1/4" 2013	6'-0" 1829	5'-6 3/4" 1695	5'-8" 1727	4'-3 3/4" 1314	3'-0" x 7'-0" (914 x 2134)
SSP, CO	2500 Lbs (1134 Kg)	8'-4" 2540	6'-7 1/4" 2013	7'-0" 2134	5'-6 3/4" 1695	6'-8" 2032	4'-3 3/4" 1314	3'-6" x 7'-0" (1067 x 2134)
SSP, CO	3000 Lbs (1361 Kg)	8'-4" 2540	7'-1 1/4" 2165	7'-0" 2134	6'-0 3/4" 1848	6'-8" 2032	4'-9 3/4" 1467	3'-6" x 7'-0" (1067 x 2134)
SSP, CO	3500 Lbs (1588 Kg)	8'-4" 2540	7'-9 1/4" 2369	7'-0" 2134	6'-8 3/4" 2051	6'-8" 2032	5'-5 3/4" 1670	3'-6" x 7'-0" (1067 x 2134)
CO	4000 Lbs (1814 Kg)	9'-4" 2845	7'-9 1/4" 2369	8'-0" 2438	6'-8 3/4" 2051	7'-8" 2337	5'-5 3/4" 1670	4'-0" x 7'-0" (1219 x 2134)

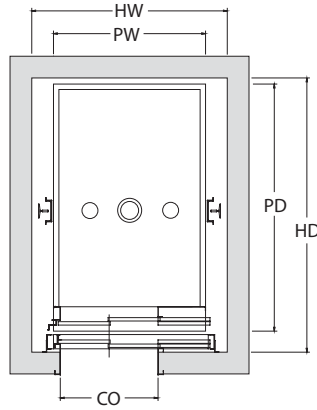
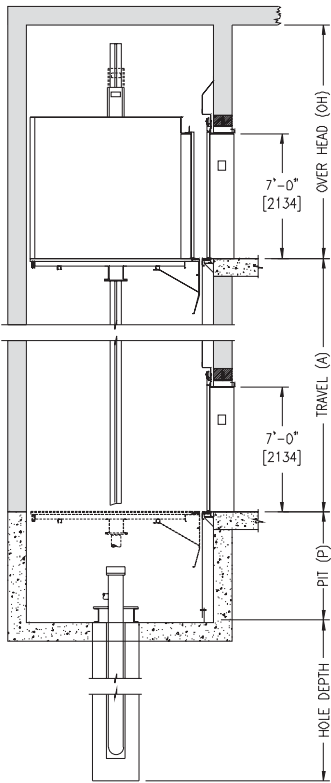
Global-Tardif reserves the right to change specifications without notice

OVERHEAD	
Travel Speed	OH
Up to 100	12'-2"
125	12'-3"
150	12'-4"

PIT DEPTH	
Location	P
USA - Canada (except Ontario)	4'-0"
Ontario	5'-0"

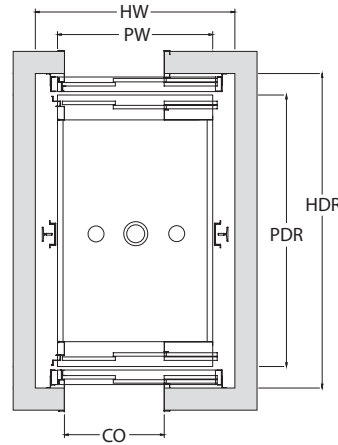
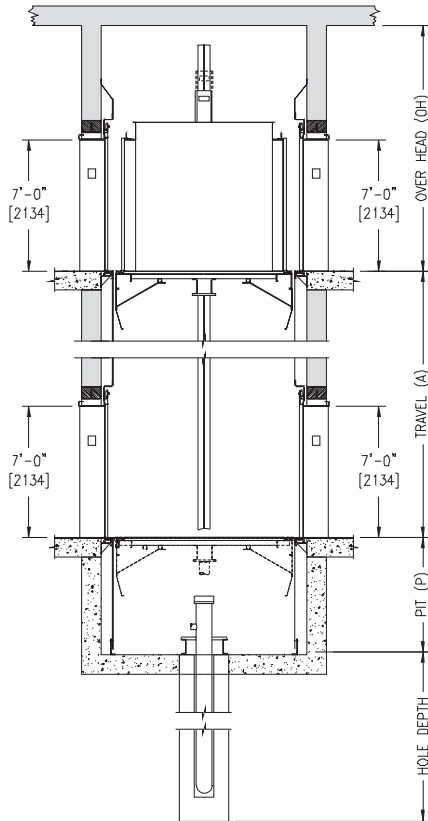
MACHINE ROOM	
Width	Depth
6'-0"	6'-0"

GT VisionLift Hydraulic™



Holed - Hospital Type Front Opening

Type of Opening	Capacity	Hoistway Width	Hoistway Depth	Platform Width	Platform Depth	Cab Inside Width	Cab Inside Depth	Size of Opening
		HW	HD	PW	PD	CIW	CID	
2SP	4000 Lbs 1814 Kg	7'-4" 2235	9'-8" 2946	5'-8" 1727	8'-10 1/2" 2705	5'-4" 1626	7'-11" 2413	4'-0" x 7'-0" (1219 x 2134)
2SP	4500 Lbs 2041 Kg	7'-4" 2235	9'-8" 2946	6'-0" 1829	8'-10 1/2" 2705	5'-8" 1727	7'-11" 2413	4'-0" x 7'-0" (1219 x 2134)
2SP	5000 Lbs 2268 Kg	8'-1" 2264	10'-3" 3124	6'-3" 1905	9'-5 1/2" 2883	5'-11" 1803	8'-6" 2591	4'-6" x 7'-0" (1372 x 2134)



Holed - Hospital Type Front & Rear Opening

Type of Opening	Capacity	Hoistway Width	Hoistway Depth	Platform Width	Platform Depth	Cab Inside Width	Cab Inside Depth	Size of Opening
		HW	HD	PW	PD	CIW	CID	
2SP	4000 Lbs 1814 Kg	7'-4" 2235	10'-9 1/4" 3283	5'-8" 1727	9'-5 3/4" 2889	5'-4" 1626	7'-11 3/4" 2432	4'-0" x 7'-0" (1219 x 2134)
2SP	4500 Lbs 2041 Kg	7'-4" 2235	10'-9 1/4" 3283	6'-0" 1829	9'-5 3/4" 2889	5'-8" 1727	7'-11 3/4" 2432	4'-0" x 7'-0" (1219 x 2134)
2SP	5000 Lbs 2268 Kg	8'-1" 2264	11'-4 1/4" 3461	6'-3" 1905	10'-0 3/4" 3067	5'-11" 1803	8'-6 3/4" 2610	4'-6" x 7'-0" (1372 x 2134)

Global-Tardif reserves the right to change specifications without notice

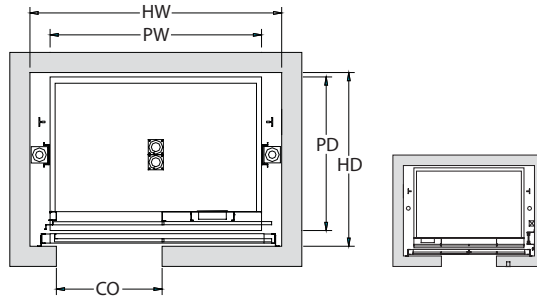
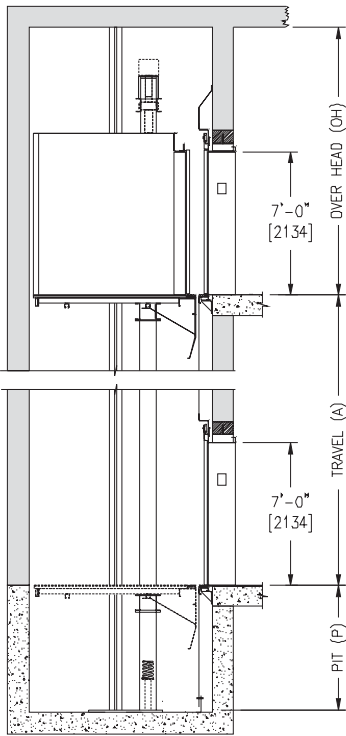
OVERHEAD	
Travel Speed	OH
Up to 100	12'-2"
125	12'-3"
150	12'-4"

PIT DEPTH	
Location	P
USA - Canada (except Ontario)	4'-0"
Ontario	5'-0"

MACHINE ROOM	
Width	Depth
6'-6"	6'-6"

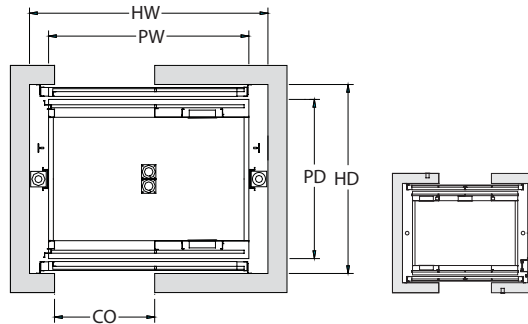
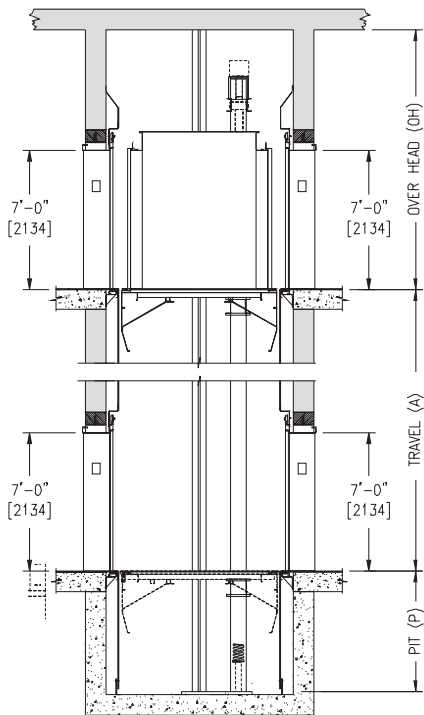
For more information and additional details visit www.globaltardif.com

GT VisionLift Hydraulic™



Holeless Twin Jack Direct Passenger Type Front Opening

Type of Opening	Capacity	Hoistway Width	Hoistway Depth	Platform Width	Platform Depth	Cab Inside Width	Cab Inside Depth	Size of Opening
		HW	HD	PW	PD	CIW	CID	
SSP	2100 Lbs (953 Kg)	7'-4" 2235	5'-9" 1753	6'-0" 1829	5'-1" 1549	5'-8" 1727	4'-3" 1295	3'-0" x 7'-0" (914 x 2134)
SSP, CO	2500 Lbs (1134 Kg)	8'-4" 2540	5'-9" 1753	7'-0" 2134	5'-1" 1549	6'-8" 2032	4'-3" 1295	3'-6" x 7'-0" (1067 x 2134)
SSP, CO	3000 Lbs (1361 Kg)	8'-4" 2540	6'-3" 1905	7'-0" 2134	5'-7" 1702	6'-8" 2032	4'-9" 1448	3'-6" x 7'-0" (1067 x 2134)
SSP, CO	3500 Lbs (1588 Kg)	8'-4" 2540	6'-11" 2108	7'-0" 2134	6'-3" 1905	6'-8" 2032	5'-5" 1651	3'-6" x 7'-0" (1067 x 2134)
CO	4000 Lbs (1814 Kg)	9'-4" 2845	6'-11" 2108	8'-0" 2438	6'-3" 1905	7'-8" 2337	5'-5" 1651	4'-0" x 7'-0" (1219 x 2134)



Holeless Twin Jack Direct Passenger Type Front & Rear Opening

Type of Opening	Capacity	Hoistway Width	Hoistway Depth	Platform Width	Platform Depth	Cab Inside Width	Cab Inside Depth	Size of Opening
		HW	HD	PW	PD	CIW	CID	
SSP	2100 Lbs (953 Kg)	7'-4" 2235	6'-7 1/4" 2013	6'-0" 1829	5'-6 3/4" 1695	5'-8" 1727	4'-3 3/4" 1314	3'-0" x 7'-0" (914 x 2134)
SSP, CO	2500 Lbs (1134 Kg)	8'-4" 2540	6'-7 1/4" 2013	7'-0" 2134	5'-6 3/4" 1695	6'-8" 2032	4'-3 3/4" 1314	3'-6" x 7'-0" (1067 x 2134)
SSP, CO	3000 Lbs (1361 Kg)	8'-4" 2540	7'-1 1/4" 2165	7'-0" 2134	6'-0 3/4" 1848	6'-8" 2032	4'-9 3/4" 1467	3'-6" x 7'-0" (1067 x 2134)
SSP, CO	3500 Lbs (1588 Kg)	8'-4" 2540	7'-9 1/4" 2369	7'-0" 2134	6'-8 3/4" 2051	6'-8" 2032	5'-5 3/4" 1670	3'-6" x 7'-0" (1067 x 2134)
CO	4000 Lbs (1814 Kg)	9'-4" 2845	7'-9 1/4" 2369	8'-0" 2438	6'-8 3/4" 2051	7'-8" 2337	5'-5 3/4" 1670	4'-0" x 7'-0" (1219 x 2134)

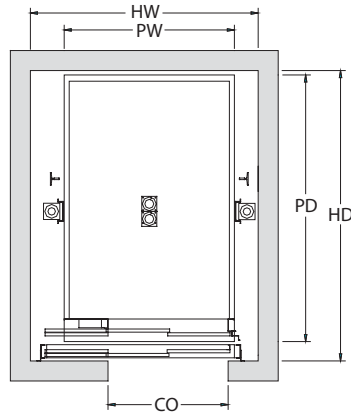
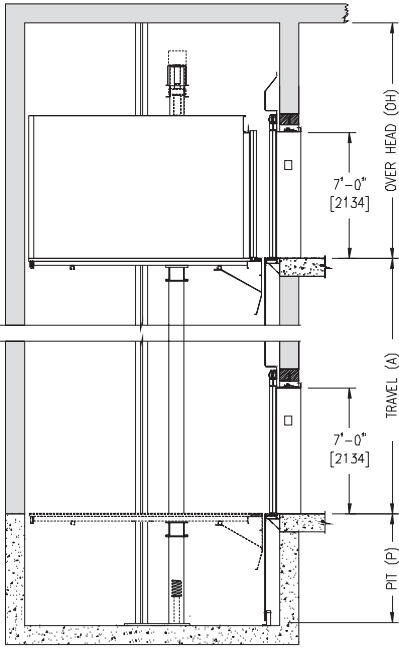
Global-Tardif reserves the right to change specifications without notice

OVERHEAD	
Travel Speed	OH
Up to 100	call us
125	call us
150	call us

PIT DEPTH	
Location	P
USA - Canada (except Ontario)	4'-0"
Ontario	5'-0"

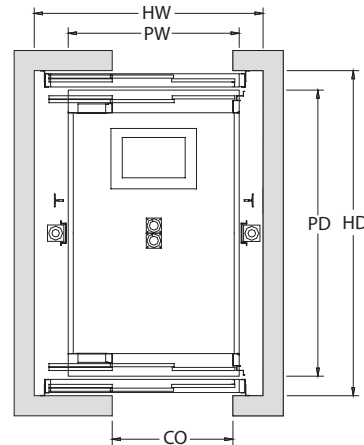
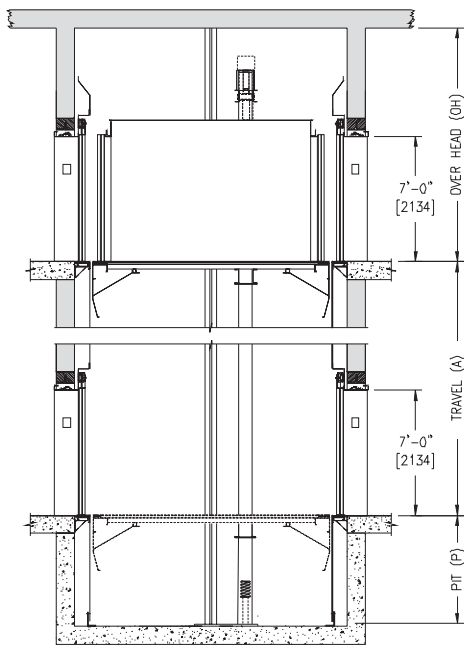
MACHINE ROOM	
Width	Depth
6'-6"	6'-6"

GT VisionLift Hydraulic™



Holeless Twin Jack Direct Hospital Type Front Opening

Type of Opening	Capacity	Hoistway Width	Hoistway Depth	Platform Width	Platform Depth	Cab Inside Width	Cab Inside Depth	Size of Opening
		HW	HD	PW	PD	CIW	CID	
2SP	4000 Lbs (1814 Kg)	7'-7" 2311	9'-8" 2946	5'-8" 1727	8'-10 1/2" 2705	5'-4" 1626	7'-11" 2413	4'-0" x 7'-0" (1219 x 2134)
2SP	4500 Lbs (2041 Kg)	7'-7" 2311	9'-8" 2946	6'-0" 1829	8'-10 1/2" 2705	5'-8" 1727	7'-11" 2413	4'-0" x 7'-0" (1219 x 2134)
2SP	5000 Lbs (2268 Kg)	8'-4" 2540	10'-3" 3124	6'-3" 1905	9'-5 1/2" 2883	5'-11" 1803	8'-6" 2591	4'-6" x 7'-0" (1372 x 2134)



Holeless Twin Jack Direct Hospital Type Front & Rear Opening

Type of Opening	Capacity	Hoistway Width	Hoistway Depth	Platform Width	Platform Depth	Cab Inside Width	Cab Inside Depth	Size of Opening
		HW	HD	PW	PD	CIW	CID	
2SP	4000 Lbs (1814 Kg)	7'-7" 2311	10'-9 1/4" 3283	5'-8" 1727	9'-5 3/4" 2889	5'-4" 1626	7'-11 3/4" 2432	4'-0" x 7'-0" (1219 x 2134)
2SP	4500 Lbs (2041 Kg)	7'-7" 2311	10'-9 1/4" 3283	6'-0" 1829	9'-5 3/4" 2889	5'-8" 1727	7'-11 3/4" 2432	4'-0" x 7'-0" (1219 x 2134)
2SP	5000 Lbs (2268 Kg)	8'-4" 2540	11'-4 1/4" 3461	6'-3" 1905	10'-0 3/4" 3067	5'-11" 1803	8'-6 3/4" 2610	4'-6" x 7'-0" (1372 x 2134)

Global-Tardif reserves the right to change specifications without notice

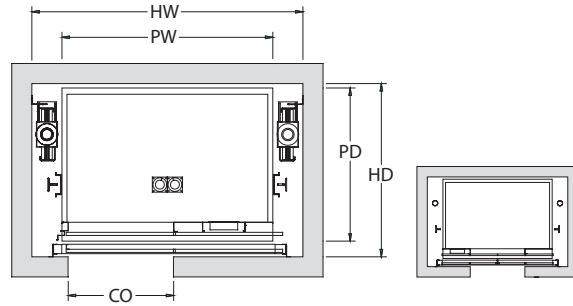
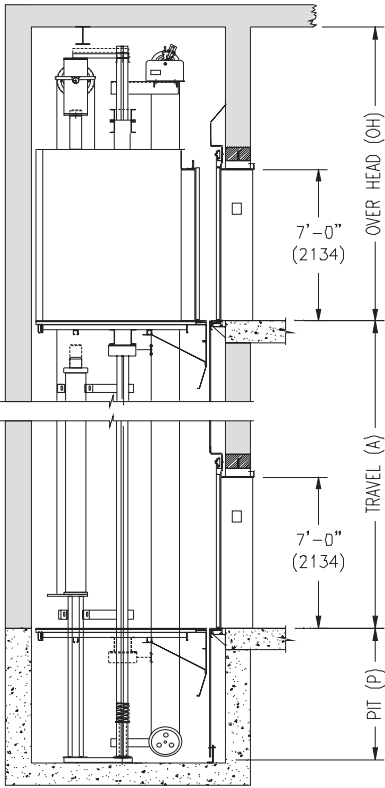
OVERHEAD	
Travel Speed	OH
Up to 100	call us
125	call us
150	call us

PIT DEPTH	
Location	P
USA - Canada (except Ontario)	4'-0"
Ontario	5'-0"

MACHINE ROOM	
Width	Depth
6'-6"	6'-6"

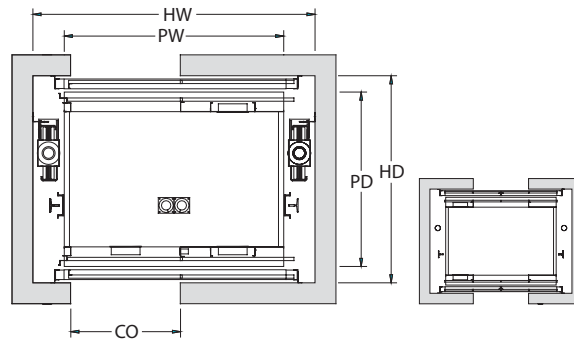
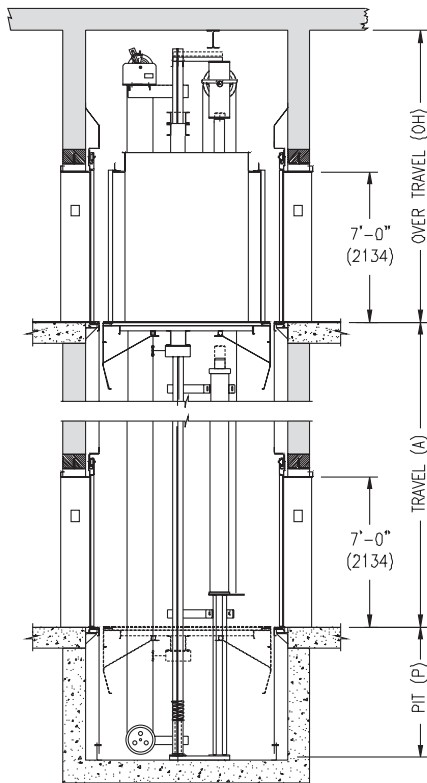
For more information and additional details visit www.globaltardif.com

GT VisionLift Hydraulic™



Holeless Twin Jack Roped Passenger Type Front Opening

Type of Opening	Capacity	Hoistway Width	Hoistway Depth	Platform Width	Platform Depth	Cab Inside Width	Cab Inside Depth	Size of Opening
		HW	HD	PW	PD	CIW	CID	
SSP	2100 Lbs (953 Kg)	8'-0" 2438	5'-9" 1753	6'-0" 1829	5'-1" 1549	5'-8" 1727	4'-3" 1295	3'-0" x 7'-0" (914 x 2134)
SSP, CO	2500 Lbs (1134 Kg)	9'-0" 2743	5'-9" 1753	7'-0" 2134	5'-1" 1549	6'-8" 2032	4'-3" 1295	3'-6" x 7'-0" (1067 x 2134)
SSP, CO	3000 Lbs (1361 Kg)	9'-0" 2743	6'-3" 1905	7'-0" 2134	5'-7" 1702	6'-8" 2032	4'-9" 1448	3'-6" x 7'-0" (1067 x 2134)
SSP, CO	3500 Lbs (1588 Kg)	9'-0" 2743	6'-11" 2108	7'-0" 2134	6'-3" 1905	6'-8" 2032	5'-5" 1651	3'-6" x 7'-0" (1067 x 2134)
CO	4000 Lbs (1814 Kg)	10'-0" 3048	6'-11" 2108	8'-0" 2438	6'-3" 1905	7'-8" 2337	5'-5" 1651	4'-0" x 7'-0" (1219 x 2134)



Holeless Twin Jack Roped Passenger Type Front & Rear Opening

Type of Opening	Capacity	Hoistway Width	Hoistway Depth	Platform Width	Platform Depth	Cab Inside Width	Cab Inside Depth	Size of Opening
		HW	HD	PW	PD	CIW	CID	
SSP	2100 Lbs (953 Kg)	8'-0" 2438	6'-7 1/4" 2013	6'-0" 1829	5'-6 3/4" 1695	5'-8" 1727	4'-3 3/4" 1314	3'-0 x 7'-0" (914 x 2134)
SSP, CO	2500 Lbs (1134 Kg)	9'-0" 2743	6'-7 1/4" 2013	7'-0" 2134	5'-6 3/4" 1695	6'-0" 2032	4'-3 3/4" 1314	3'-6" x 7'-0" (1067 x 2134)
SSP, CO	3000 Lbs (1361 Kg)	9'-0" 2743	7'-1 1/4" 2165	7'-0" 2134	6'-0 3/4" 1848	6'-8" 2032	4'-9 3/4" 1467	3'-6" x 7'-0" (1067 x 2134)
SSP, CO	3500 Lbs (1588 Kg)	9'-0" 2743	7'-9 1/4" 2369	7'-0" 2134	6'-8 3/4" 2051	6'-8" 2032	5'-5 3/4" 1670	3'-6" x 7'-0" (1067 x 2134)
CO	4000 Lbs (1814 Kg)	10'-0" 3048	7'-9 1/4" 2369	8'-0" 2438	6'-8 3/4" 2051	7'-8" 2337	5'-5 3/4" 1670	4'-0" x 7'-0" (1219 x 2134)

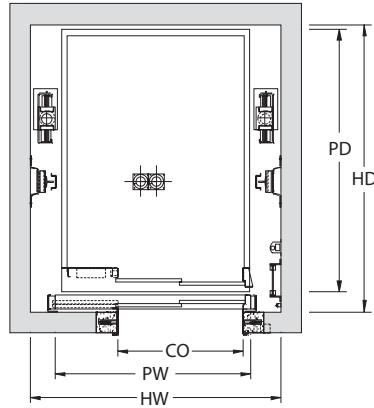
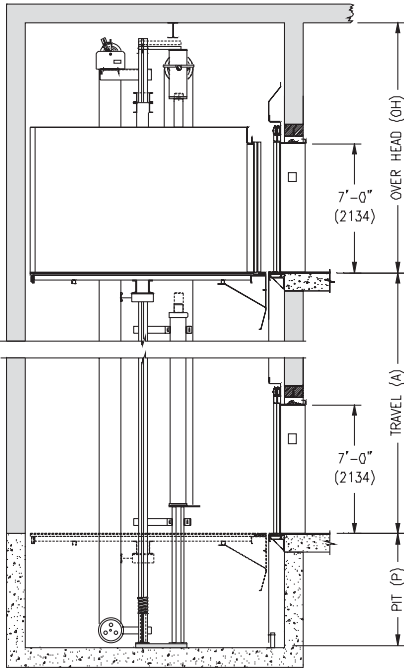
Global-Tardif reserves the right to change specifications without notice

OVERHEAD	
Travel Speed	OH
Up to 100	12'-6"
125	12'-6"
150	12'-6"

PIT DEPTH	
Location	P
USA - Canada (except Ontario)	4'-0"
Ontario	5'-0"

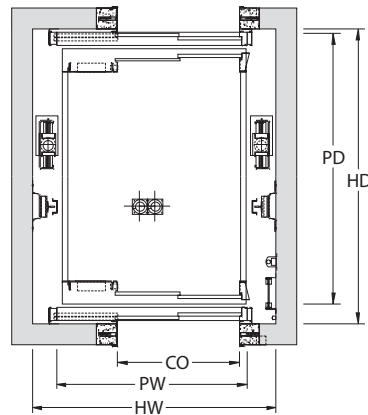
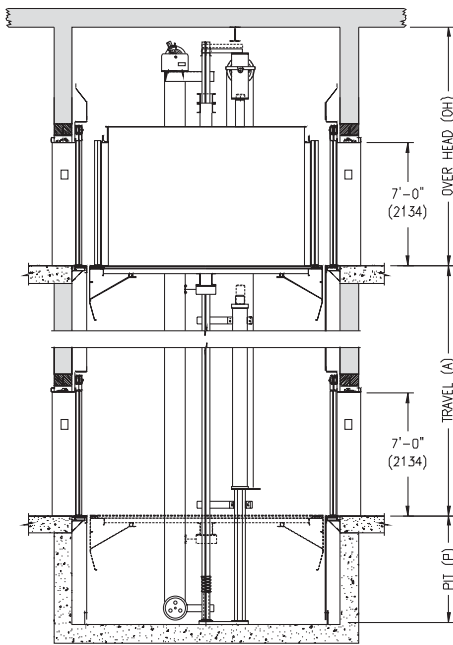
MACHINE ROOM	
Width	Depth
6'-6"	6'-6"

GT VisionLift Hydraulic™



Holeless Twin Jack Roped Hospital Type Front Opening

Type of Opening	Capacity	Hoistway Width	Hoistway Depth	Platform Width	Platform Depth	Cab Inside Width	Cab Inside Depth	Size of Opening
		HW	HD	PW	PD	CIW	CID	
2SP	4000 Lbs (1814 Kg)	7'-8" 2337	9'-8" 2946	5'-8" 1727	8'-10 1/2" 2705	5'-4" 1626	7'-11" 2413	4'-0" x 7'-0" (1219 x 2134)
2SP	4500 Lbs (2041 Kg)	8'-0" 2438	9'-8" 2946	6'-0" 1829	8'-10 1/2" 2705	5'-8" 1727	7'-11" 2413	4'-0" x 7'-0" (1219 x 2134)
2SP	5000 Lbs (2268 Kg)	8'-5" 2565	10'-3" 3124	6'-3" 1905	9'-5 1/2" 2883	5'-11" 1803	8'-6" 2591	4'-6" x 7'-0" (1372 x 2134)



Holeless Twin Jack Roped Hospital Type Front & Rear Opening

Type of Opening	Capacity	Hoistway Width	Hoistway Depth	Platform Width	Platform Depth	Cab Inside Width	Cab Inside Depth	Size of Opening
		HW	HD	PW	PD	CIW	CID	
2SP	4000 Lbs (1814 Kg)	7'-8" 2337	10'-9 1/4" 3283	5'-8" 1727	9'-5 3/4" 2889	5'-4" 1626	7'-11 3/4" 2432	4'-0" x 7'-0" (1219 x 2134)
2SP	4500 Lbs (2041 Kg)	8'-0" 2438	10'-9 1/4" 3283	6'-0" 1829	9'-5 3/4" 2889	5'-8" 1727	7'-11 3/4" 2432	4'-0" x 7'-0" (1219 x 2134)
2SP	5000 Lbs (2268 Kg)	8'-5" 2565	11'-4 1/4" 3461	6'-3" 1905	10'-0 3/4" 3067	5'-11" 1803	8'-6 3/4" 2610	4'-6" x 7'-0" 1372 x 2134

Global-Tardif reserves the right to change specifications without notice

OVERHEAD	
Travel Speed	OH
Up to 100	12'-6"
125	12'-6"
150	12'-6"

PIT DEPTH	
Location	P
USA - Canada (except Ontario)	4'-0"
Ontario	5'-0"

MACHINE ROOM	
Width	Depth
6'-6"	6'-6"

For more information and additional details visit www.globaltardif.com

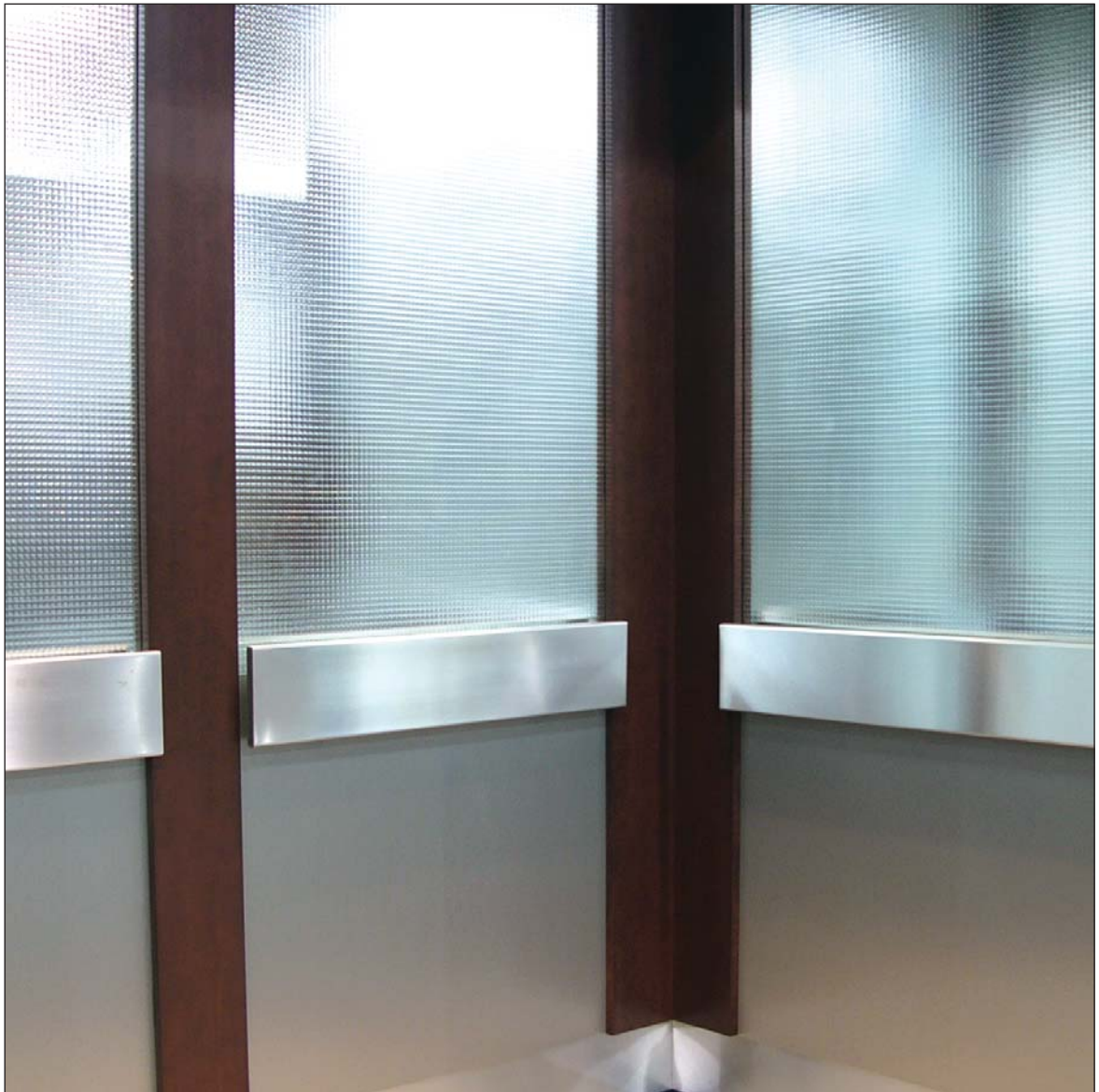
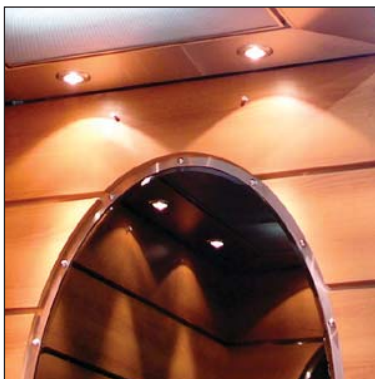
GT VisionLift Hydraulic™

Outstanding Upgraded Cab Design **GT-LSE4™**

Standard Cabs

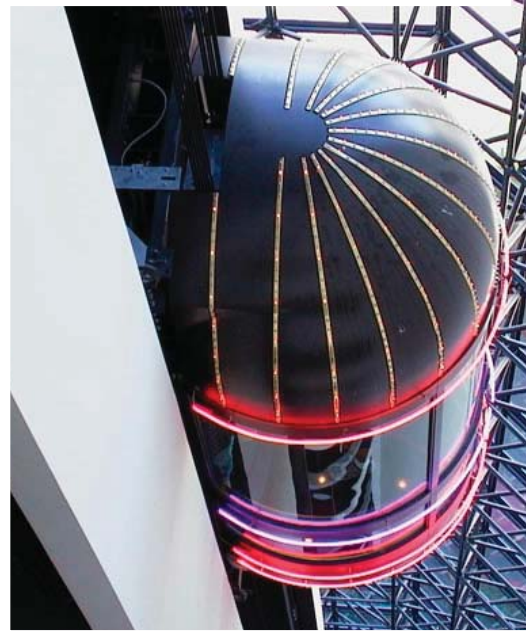


Custom Cabs



GT VisionLift Hydraulic™ Outstanding Product !

Any design, Any style , Any model...



... We will manufacture it !!



www.globaltardif.com

* The GLOBAL-TARDIF Limited Warranty covers replacement of any defective parts for a period of three (3) years. Labour cost not included. GLOBAL-TARDIF reserves the rights to discontinue models or options at any time or change the specifications, materials, equipment or pricing without notice and without incurring obligation. U.S. and foreign patents pending. 2004 GLOBAL-TARDIF Elevator Manufacturing Group Inc.

ver. Oct. 14, 2005

120 De Naples, Saint-Augustin-de-Desmaures, Québec, Canada, G3A 2Y2 - Toll free 1-800-661-6316 (Continental US & Canada only) - Phone: (418) 878-4116 Fax: (418) 878-1595, email: info@globaltardif.com